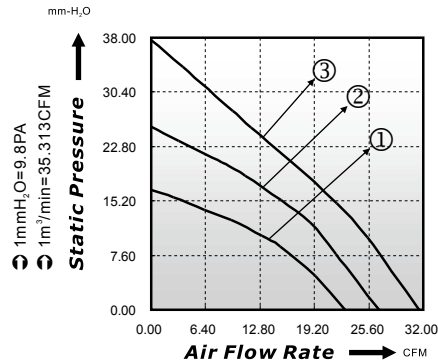


120x120x32mm

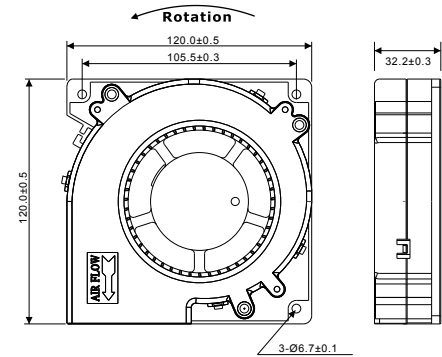


■ P-Q Curve (At Rated Voltage)



■ Dimensions Drawing

Unit: (mm)



Model No	Bearing (*)	Rated Voltage (VDC)	Rated Current (A)	Power Consumption (Watts)	Speed (rpm)	Air Flow (CFM)	Static Pressure (mmH ₂ O)	Noise (dBA)	Curve
EBD12032-12L*	●	12	0.55	6.60	2200	22.793	16.74	46.7	1
EBD12032-12M*	●	12	0.75	9.00	2600	26.825	25.60	49.6	2
EBD12032-12H*	●	12	1.20	14.40	3000	31.468	37.64	53.6	3
EBD12032-24L*	●	24	0.30	7.20	2200	22.793	16.74	46.7	1
EBD12032-24M*	●	24	0.45	10.80	2600	26.825	25.60	49.6	2
EBD12032-24H*	●	24	0.70	16.80	3000	31.468	37.64	53.6	3

* Bearing Type: ○ Sleeve ● Two Ball ⊖ Hydro-Dynamic